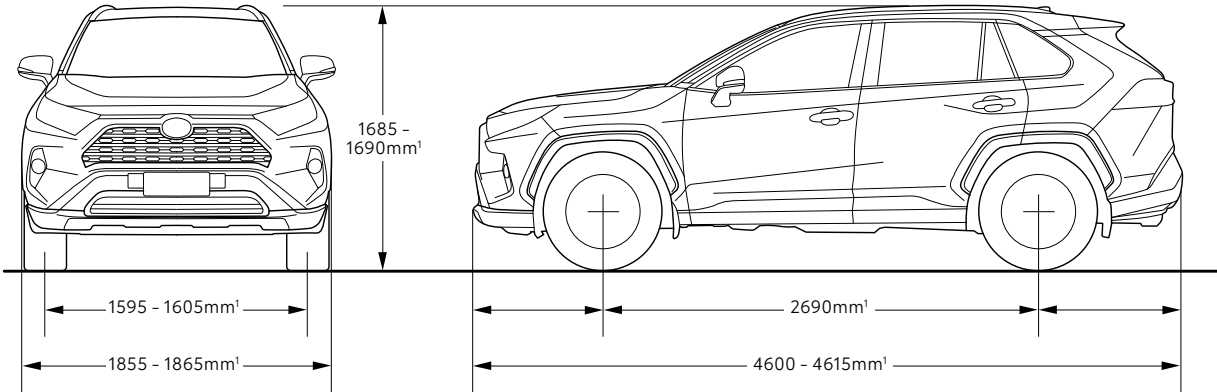


RAV4



RAV4 MODEL		GX petrol	GX Hybrid	GXL petrol	GXL Hybrid	Cruiser petrol	Cruiser Hybrid	Edge petrol
ENGINE	2.0L petrol	•		•		•		
	2.5L Hybrid		•		•		•	
	2.5L petrol							•
	Displacement (cm ³)	1987	2487	1987	2487	1987	2487	2487
	Max power (kW@rpm)	127 @ 6600	Combined Hybrid power 2WD = 160kW Combined Hybrid power electric AWD = 163kW	127 @ 6600	Combined Hybrid power 2WD = 160kW Combined Hybrid power electric AWD = 163kW	127 @ 6600	Combined Hybrid power 2WD = 160kW Combined Hybrid power electric AWD = 163kW	152 @ 6600
	Max torque (Nm@rpm)	203 @ 4400 - 4900	221 @ 3600 (combustion engine only)	203 @ 4400 - 4900	221 @ 3600 (combustion engine only)	203 @ 4400 - 4900	221 @ 3600 (combustion engine only)	243 @ 4000 - 5000
	Bore X Stroke (mm)	80.5 x 97.6	87.5 x 103.4	80.5 x 97.6	87.5 x 103.4	80.5 x 97.6	87.5 x 103.4	87.5 x 103.4
Compression ratio	13.0 : 1	14.0 : 1	13.0 : 1	14.0 : 1	13.0 : 1	14.0 : 1	13.0 : 1	
FUEL	Fuel economy (L/100km) combined ²	Manual = 6.8 auto CVT = 6.5	2WD = 4.7 electric AWD = 4.8	6.5	2WD = 4.7 electric AWD = 4.8	6.5	2WD = 4.7 electric AWD = 4.8	7.3
	Fuel system	Fuel injection	Fuel injection	Fuel injection	Fuel injection	Fuel injection	Fuel injection	Fuel injection
	Recommended fuel octane rating	91	91	91	91	91	91	91
TRANSMISSION	6-speed intelligent Manual Transmission (iMT)	•						
	Continuously Variable Transmission (auto CVT)	•	•	•	•	•	•	
	8-speed automatic transmission							•
	Gear ratios	Manual = 1st 3.916:1, 2nd 2.047:1, 3rd 1.371:1, 4th 1.025:1, 5th 0.837:1, 6th 0.687:1, Reverse 3.416:1 N/A on auto CVT	N/A on auto CVT	N/A on auto CVT	N/A on auto CVT	N/A on auto CVT	N/A on auto CVT	Automatic = 1st 5.250:1, 2nd 3.028:1, 3rd 1.950:1, 4th 1.456:1, 5th 1.220:1, 6th 1.000:1, 7th 0.808:1, 8th 0.673:1, Reverse 4.014:1
	Driveline	2WD	2WD / electric AWD	2WD	2WD / electric AWD	2WD	2WD / electric AWD	AWD
Torque vectoring differential – rear							•	
BRAKES	Front and rear	Front: Ventilated disc brake with floating caliper / Rear: Solid disc brake with floating caliper						
	Electronic park brake with brake hold	•	•	•	•	•	•	•
STEERING	Steering type and system	Electric / Rack & Pinion						
	Turning circle – kerb to kerb (m)	11.0						
SUSPENSION	Suspension	Front: Macpherson Strut / Rear: Trailing wishbone						
WEIGHTS AND CAPACITIES (approximate)	Towing capacity ³ – with trailer brakes	2WD = 800	2WD = 480 electric AWD = 1500	2WD = 800	2WD = 480 electric AWD = 1500	2WD = 800	2WD = 480 electric AWD = 1500	AWD = 1500
	Towing capacity ³ – without trailer brakes	2WD = 750	2WD = 480 electric AWD = 750	2WD = 750	2WD = 480 electric AWD = 750	2WD = 750	2WD = 480 electric AWD = 750	AWD = 750
	Kerb weight ¹ (kg)	Manual = 1515 auto CVT = 1550	2WD = 1650 electric AWD = 1705	1585	2WD = 1675 electric AWD = 1730	1620	2WD = 1690 electric AWD = 1745	1705
	Gross Vehicle Mass ¹ (kg)	Manual = 2020 auto CVT = 2125	2WD = 2185 electric AWD = 2230	2125	2WD = 2185 electric AWD = 2230	2125	2WD = 2185 electric AWD = 2230	2215
	Seating capacity	5	5	5	5	5	5	5
	Luggage capacity (L) (setting to lower level)	580 Excludes GX full size spare variants	580 Excludes GX full size spare variants	580	580	580	580	580
	Luggage capacity (L) (setting to upper level)	542	542	542	542	542	542	542
	Fuel tank capacity (L)	55	55	55	55	55	55	55

RAV4 MODEL		GX petrol	GX Hybrid	GXL petrol	GXL Hybrid	Cruiser petrol	Cruiser Hybrid	Edge petrol
WHEELS	Design and size	17" alloy	17" alloy	18" alloy (silver)	18" alloy (silver)	19" alloy (silver)	18" alloy (gloss black)	19" machined alloy
	Spare wheel	Space saver Optional full size spare wheel available on 2WD auto-CVT only	Space saver Optional full size spare wheel available on 2WD / AWD auto-CVT only	Space saver	Space saver	Space saver	Space saver	Space saver
EXTERIOR	Front halogen fog lamps	•	•	•	•	•	•	•
	Body coloured exterior door handles	•	•	•	•			•
	Chrome trimmed exterior door handles					•	•	
	Parabolic LED headlamps with auto levelling	•		•		•		•
	Projector LED headlamps		•		•			•
	LED Daytime Running Lamps (DRLs)	•	•	•	•	•	•	•
	LED rear combination lamp	•	•	•	•	•	•	•
	Automatic headlamps – light sensitive	•	•	•	•	•	•	•
	Shark fin antenna	•	•	•	•	•	•	•
	Dual tailpipes	•	•					
	Oval dual tailpipes			•	•	•	•	•
	Power adjustable side mirrors with heater	•	•	•	•	•	•	•
	Electrically retractable side mirrors	•	•	•	•	•	•	•
	Premium bumper and grille					•	•	
	Unique Edge design bumper, wheel arch moulding, grille and fog lamp surrounds							•
	Resin rear spoiler	•	•	•	•	•	•	•
	Rear mudflaps	•	•	•	•	•	•	•
	Front mudflaps			•	•	•	•	•
	Privacy glass – rear and rear side			•	•	•	•	•
	Tilt and slide moonroof					•	•	•
Tilt and slide panoramic moonroof							Optional	
Roof rails			•	•	•	•	•	
INTERIOR	Premium steering wheel and gear lever			•	•	•	•	•
	Premium embossed fabric seats			•	•			
	Leather Accented interior					•	•	
	Hard wearing SofTex® seats							•
	Driver and front passenger heated seats (high/low)					•	•	
	Driver and front passenger heated and ventilated (high/medium/low)							•
	10-way power driver's seat and power lumbar support					•	•	•
	2 position driver's seat memory					•	•	
	Ambient interior cabin lighting					•	•	•
	Electro-chromatic rear-view mirror			•	•	•	•	•
	Front and rear power windows	•	•	•	•	•	•	•
	60/40 split fold rear seats	•	•	•	•	•	•	•
	Folding rear seat centre armrest	•	•	•	•	•	•	•
	Automatic dual-zone climate control		•	•	•	•	•	•
	Rear passenger air vents	•	•	•	•	•	•	•
INSTRUMENTS AND CONTROLS	Power back door					•	•	•
	Remote locking with key start	•						
	Smart start system		•					
	Smart entry and smart start			•	•	•	•	•
	Tilt and telescopic adjustable steering column	•	•	•	•	•	•	•
	Off-road Mode Select dial with Drive Mode Select							•
	Rain sensing wipers	•	•	•	•	•	•	•
	4.2" Multi Information Display (MID)	•	•	•	•			
	7" Multi Information Display (MID)					•	•	•
STORAGE AND CONVENIENCE	Driver's seat open tray	•	•	•	•	•	•	•
	Passenger seat open tray	•	•	•	•	•	•	•
	Centre console tray and storage box	•	•	•	•	•	•	•
	Door pockets – driver and front passenger	•	•	•	•	•	•	•
	Overhead console	•	•	•	•	•	•	•

RAV4 MODEL		GX petrol	GX Hybrid	GXL petrol	GXL Hybrid	Cruiser petrol	Cruiser Hybrid	Edge petrol
STORAGE AND CONVENIENCE (continued)	Cupholders – x2 front, x2 rear	•	•	•	•	•	•	•
	2 level boot floor	Not available with full size spare wheel	Not available with full size spare wheel	•	•	•	•	•
	Boot side pocket	•	•	•	•	•	•	•
MULTIMEDIA	8" colour touchscreen display	•	•	•	•	•	•	•
	Satellite navigation ⁴ with SUNA™ ⁵ Live Traffic	•	•	•	•	•	•	•
	AUX and USB ⁴ input	•	•	•	•	•	•	•
	4 additional USB ⁴ ports – x3 front, x2 rear in total	•	•	•	•	•	•	•
	Digital Radio ⁴ (DAB+)	•	•	•	•	•	•	•
	Bluetooth® connectivity ^{4,6}	•	•	•	•	•	•	•
	Voice recognition, Mobile Assistant, Siri® ⁷ Eyes Free, Miracast®, Toyota Link®	•	•	•	•	•	•	•
	Wireless phone charger ⁹	•	•	•	•	•	•	•
	6 speaker audio	•	•	•	•	•	•	•
	9 speaker JBL® ¹⁰ premium audio	•	•	•	•	•	•	•
SAFETY	Steering wheel controls with audio, MID, voice recognition and telephone controls	•	•	•	•	•	•	•
	Toyota Safety Sense ¹¹ – Including Lane Departure Alert, Lane Trace Assist (auto CVT only), Pre-Collision Safety system with pedestrian and daylight cyclist detection, Road Sign Assist, Automatic High Beam and Active Cruise Control (All-speed on auto and auto CVT. High-speed on manual)	•	•	•	•	•	•	•
	Trailer sway control	•	•	•	•	•	•	•
	Blind Spot Monitor	•	•	•	•	•	•	•
	Rear Cross Traffic Alert	•	•	•	•	•	•	•
	Front and rear parking sensors	•	•	•	•	•	•	•
	Reversing camera with fixed lines	•	•	•	•	•	•	•
	Reversing camera with Back Guide Monitor	•	•	•	•	•	•	•
	Panoramic view monitor	•	•	•	•	•	•	•
	Anti-lock Braking System with Electronic Brake-force Distribution and Brake Assist	•	•	•	•	•	•	•
	Vehicle Stability Control and Traction Control	•	•	•	•	•	•	•
	Hill-start assist	•	•	•	•	•	•	•
	Downhill Assist Control	•	•	•	•	•	•	•
	7 SRS airbags – front, front side, full length curtain airbags and driver's knee airbag	•	•	•	•	•	•	•
Seatbelt warning (all seats)	•	•	•	•	•	•	•	
ISOFIX child restraint anchorage points (outer rear seats)	•	•	•	•	•	•	•	

1 Weights/mass/volumes/dimensions are approximate and subject to individual vehicle variances, and should be confirmed before fitting any accessories, towing or otherwise relying on this value.

2 Achieved in test conditions for comparison purposes only. Actual fuel consumption varies depending on driving conditions/style, vehicle condition, load and options/accessories fitted. Source: ADR81/02 combined.

3 Towing capacity subject to regulatory requirements, tow bar and vehicle design and towing equipment limitations. Ask your Dealer for Toyota Genuine tow bar capacity and availability details.

4 Coverage varies based on vehicle location.

5 Service varies based on vehicle location. See sunattraffic.com.au

6 Bluetooth® is a registered trademark of Bluetooth SIG, Inc.

7 Siri® is a trade mark of Apple, Inc. registered in the U.S. and other countries.

8 Requires installation of a compatible app, third party information, sufficient mobile data & GPS signal. Mobile usage is at user's cost. Toyota Australia reserves the right to add, remove or modify applications. For further information see toyota.com.au/toyotalink

9 Only Qi-supported devices compatible. Refer to device manufacturer. May require additional purchase of accessory to support wireless charging.

10 JBL® is a registered trademark of Harman International Industries, Incorporated.

11 Driver assist feature. Only operates under certain conditions. Check your Owner's Manual for explanation of limitations. Please drive safely.